

# SELF PRIMING ENGINE DRIVEN PUMPS

## RB212 (+T)



The self priming pumps "Robusta", are designed to comply to the hardest and heavy duty applications, such as: building, emergency and industrial sectors.

The open-blade double-curvature impeller, unique across the world, ensures a superior priming ability voiding the need of a foot valve installation. The high thickness of the pump body and of the impeller blades, allow the handling of more abrasive fluids and large passage of solids.

### FEATURES

- ✓ EN-JL1030 cast iron construction according to UNI EN 1561 with modular body.
- ✓ Replaceable screw-less armoured internal volute in EN-JS1030 nodular cast iron according to UNI EN 1563.
- ✓ Mechanical seal in high resistance hard metal.
- ✓ Large-size inspection hatches to facilitate cleaning and inspection.
- ✓ Standardised EN1092-1:2003 flanged inlet and outlet with built in threaded rod.
- ✓ Rapid self-priming up to 8 meters in vertical position.

### VERSIONS

Code	RB212AGKD35+T	RB212AGKH27+T
<b>PUMP</b>		
RPM	3600	3600
P MAX pump (kW)	4.2	4.2
Q MAX (m³/h)	50	50
H MAX (m)	27	27
Ø Inlet/outlet DN (mm - ")	50 (2")	50 (2")
Ø Impeller (mm)	125	125
Free solids passage MAX size (mm)	25 x 23	25 x 23
<b>ENGINE</b>		
Model	Kohler KD15-350	Kohler CH270
N. cylinders	1	1
Displacement (cc)	349	208
Motor power - MAX (kW)	5.3	5.2
Cooling	Air	Air
Fuel	Diesel	Petrol
Starting system	Recoil / Electric	Recoil / Electric
Emissions standard	Stage V	Stage V
<b>PUMP SET UP AVAILABLE</b>		
Coupling versions	Direct / Monobloc	Direct / Monobloc
Tank capacity (L)	4.3	4.0
Total weight version +T (kg) *	85	70
Base frame (+B) / Simple trailer (+T)	✓ / ✓	✓ / ✓
Base tank (+BT) / Tank trailer (+TT)	-	-

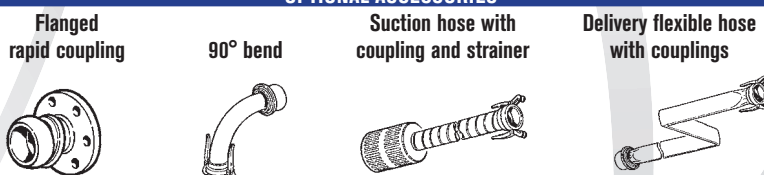
\* Empty tank.

### STANDARD MATERIAL OF CONSTRUCTION

Pump body	Cast Iron GJL250
Armored volute	Nodular cast iron GJS400
Open-blade impeller	Nodular cast iron GJS400
Mechanical Seal	Silicon Carbide / Viton®
Shaft	Steel C40
Elastomers	Nitrile

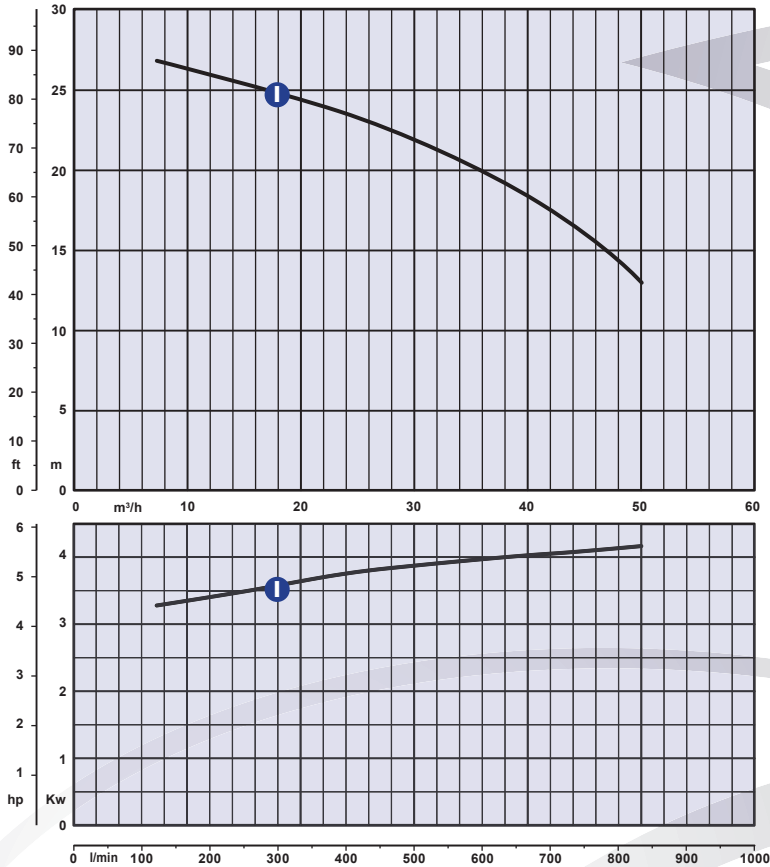
Special metallurgies available on demand.

### OPTIONAL ACCESSORIES



# SELF PRIMING ENGINE DRIVEN PUMPS

## RB212 (+T)

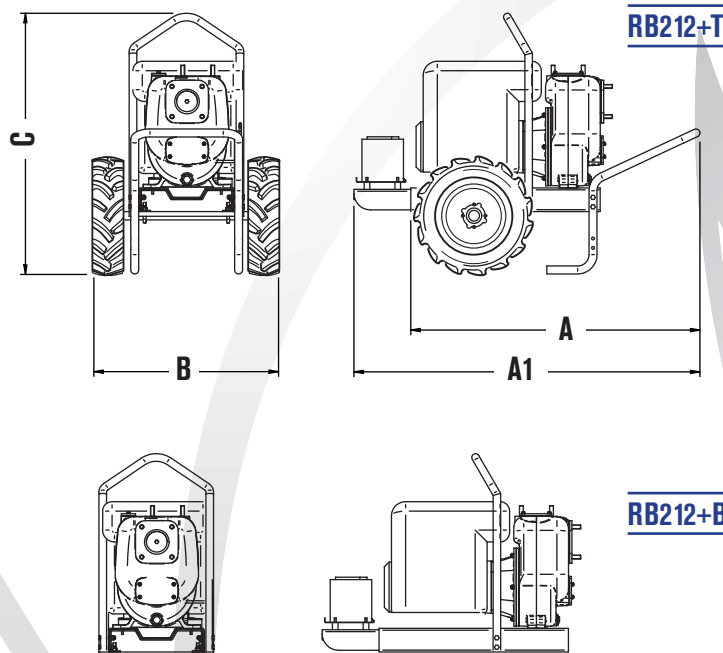


### PUMP PERFORMANCE RANGE

I **RB212AGKD35+T**

II **RB212AGKH27+T**

Performances are subjected to variations based on NPSH available.



### DIMENSIONS mm

	A	A1	B	C
Version +T	770	1000	585	950

All dimensions and data a.m. reported are indicative, not binding and subjected to modifications without notice.