

# SELF PRIMING ENGINE DRIVEN PUMPS

## RB212 (+G)



The self priming pumps "Robusta", are designed to comply to the hardest and heavy duty applications, such as: building, emergency and industrial sectors.

The open-blade double-curvature impeller, unique across the world, ensures a superior priming ability voiding the need of a foot valve installation. The high thickness of the pump body and of the impeller blades, allow the handling of more abrasive fluids and large passage of solids.

### FEATURES

- ✓ EN-JL1030 cast iron construction according to UNI EN 1561 with modular body.
- ✓ Replaceable screw-less armoured internal volute in EN-JS1030 nodular cast iron according to UNI EN 1563.
- ✓ Mechanical seal in high resistance hard metal.
- ✓ Large-size inspection hatches to facilitate cleaning and inspection.
- ✓ Standardised EN1092-1:2003 flanged inlet and outlet with built in threaded rod.
- ✓ Rapid self-priming up to 8 meters in vertical position.

### VERSIONS

|  |                      |
|--|----------------------|
| Code                                     | <b>RB212AGKH27+G</b> |
| <b>PUMP</b>                              |                      |
| RPM                                      | 3600                 |
| P MAX pump (kW)                          | 4.2                  |
| Q MAX (m <sup>3</sup> /h)                | 50                   |
| H MAX (m)                                | 28                   |
| Ø Inlet/outlet DN (mm - ")               | 50 (2")              |
| Ø Impeller (mm)                          | 125                  |
| Free solids passage MAX size (mm)        | 25 x 23              |
| <b>ENGINE</b>                            |                      |
| Model                                    | Kohler CH270         |
| N. cylinders                             | 1                    |
| Displacement (cc)                        | 208                  |
| Motor power - MAX (kW)                   | 5.2                  |
| Cooling                                  | Air                  |
| Fuel                                     | Petrol               |
| Starting system                          | Recoil               |
| Emissions standard                       | Stage V              |
| <b>PUMP SET UP AVAILABLE</b>             |                      |
| Coupling versions                        | Direct / Monobloc    |
| Tank capacity (L)                        | 4                    |
| Total weight version +G (kg) *           | 52                   |
| Tubular light weight carrying frame (+G) | ✓                    |



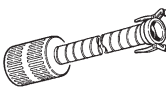
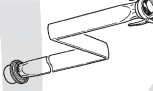
\* Empty tank.

### STANDARD MATERIAL OF CONSTRUCTION

|                     |                          |
|---------------------|--------------------------|
| Pump body           | Cast Iron GJL250         |
| Armored volute      | Nodular cast iron GJS400 |
| Open-blade impeller | Nodular cast iron GJS400 |
| Mechanical Seal     | Silicon Carbide / Viton® |
| Shaft               | Steel C40                |
| Elastomers          | Nitrile                  |

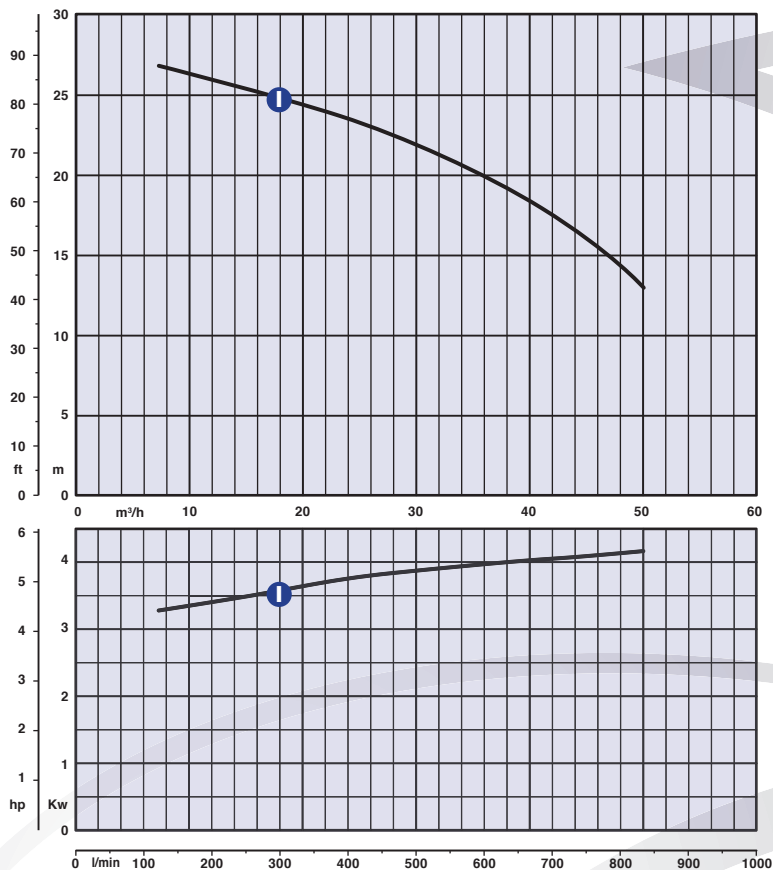
Special metallurgies available on demand.

### OPTIONAL ACCESSORIES

|   |   |   |   |
|---|---|---|---|
| Flanged rapid coupling  | 90° bend  | Suction hose with coupling and strainer   | Delivery flexible hose with couplings   |
|  |  |  |  |

# SELF PRIMING ENGINE DRIVEN PUMPS

## RB212 (+G)

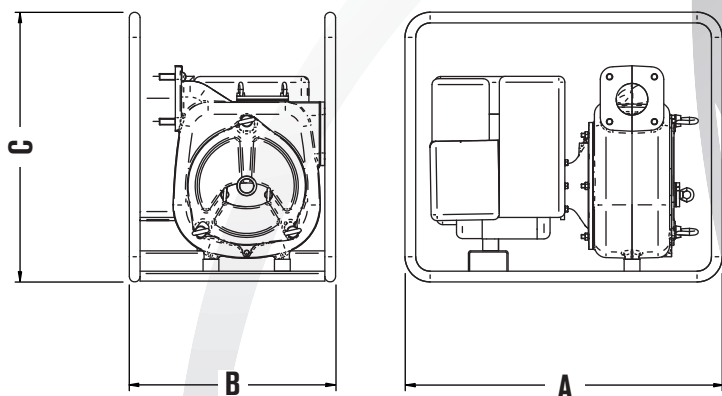


### PUMP PERFORMANCE RANGE

#### I RB212AGKH27+G

Performances are subjected to variations based on NPSH available.

### RB212+G



### DIMENSIONS mm

|            | A   | B   | C   |
|------------|-----|-----|-----|
| Version +G | 800 | 600 | 700 |

All dimensions and data a.m. reported are indicative, not binding and subjected to modifications without notice.